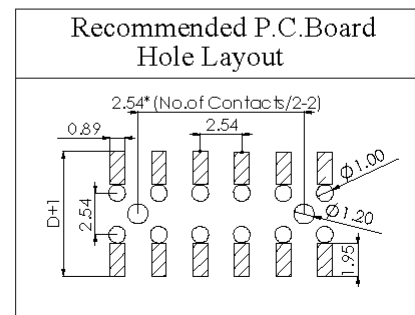
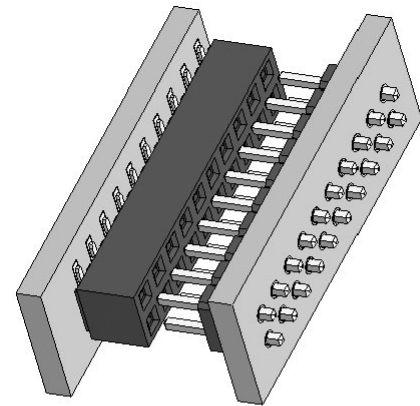
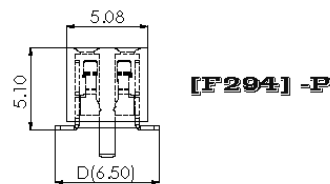
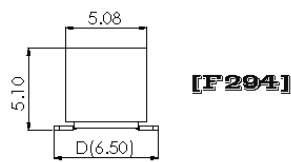
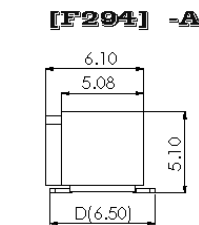
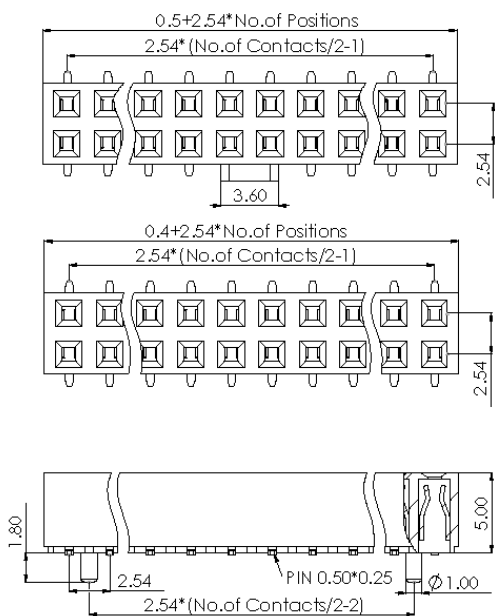
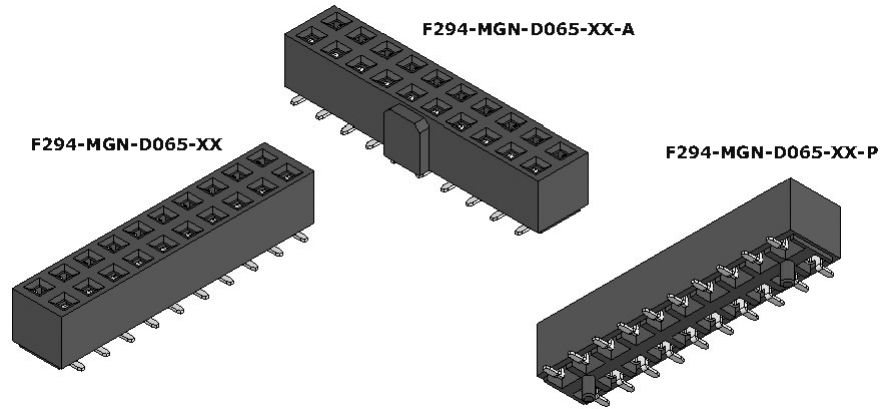


Female Header 2.54 mm

SMT Series

SPECIFICATIONS

Current Rating: 3 A
 Insulator Resistance: 5000 MOhm min.
 Contact Resistance: 20 mOhm max.
 Dielectric Withstanding: AC 1000 V
 Operating Temperature: -40°C ~ +105°C
 Soldering Temperature: 260°C for 3~5sec. max
 Contact Material: Phosphor Bronze
 Insulator Material: Polyester, UL 94V-0
 Standard: Nylon-6T
 Finish: Tin, Gold or Duplex Plated
 Standard: Gold Flash all over
 Note: Duplex Plating: Gold Plated on contact area, Tin on solder area



How to order

Unit: mm

Series	Connector Type	Contact Plating	Material	Pin Length mm	Number of Contacts	Other
FXXX	- X	X	X	- DXXX	- XX	- AP
F294:F/H 2.54 H:5.00 Dual Row	M:SMT Type	G:Gold Flash T:Tin Plated A:10U"Gold B:15U"Gold C:20U"Gold ©Duplex Plating D:Gold Flash/Tin (Standard:G)	N:Nylon-6T (Standard:N)	M-D D065	(04 TO 80 Contacts)	A: With cutting Polarization key. P:PEG